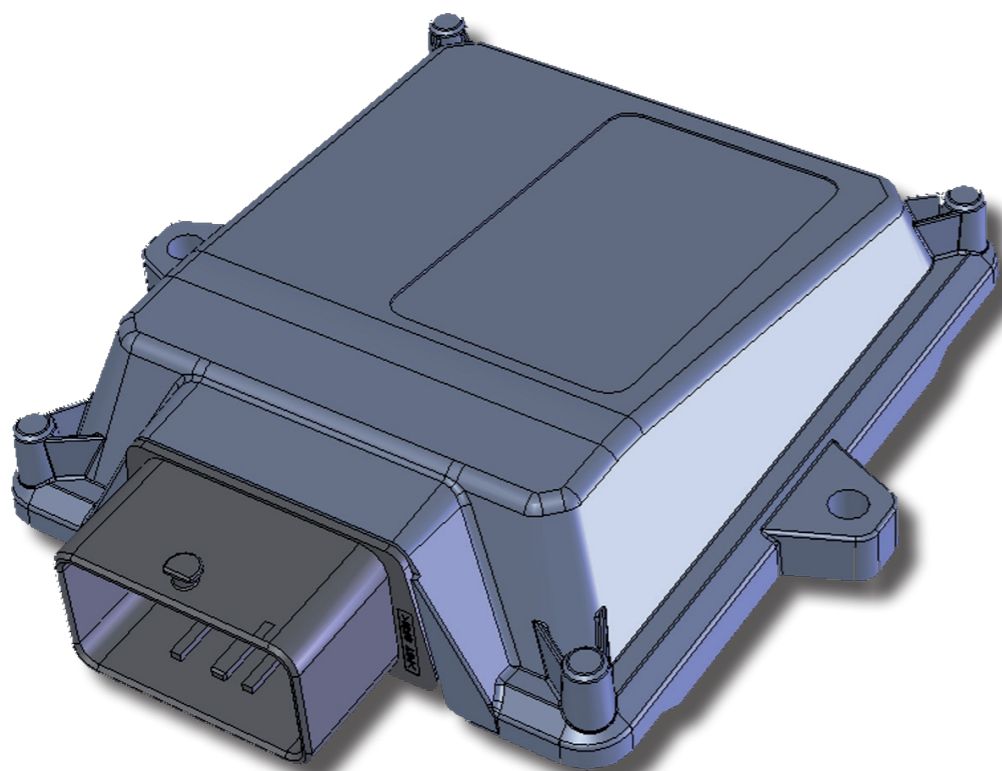


# MP48

## 4 CYL. INJECTION CONTROL UNIT

### INSTALLATION MANUAL

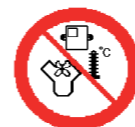


Specifiche tecniche / Technical specifications	
Tensione di alimentazione / Supply voltage	Vbat=10÷16V
Temperatura di funzionamento / Operating temperature	-40÷105°C
Fusibile di protezione / Protection fuse	MAX 15A
Assorbimento di corrente con attuatori disattivi / Current absorption with the actuators disabled	Imax ≤ 0.5A
Assorbimento di corrente in modalità standby / Current absorption in standby mode	Istandby ≤ 5 mA
Attuatori gestiti / Actuators managed	Fino a 4 iniettori con caratteristiche: Imax= 6A, Vbat max= 16V up to 4 injectors with the following characteristics: Imax=6A, Vbat max=16V
Uscita fili elettrovalvole gas / Wire output gas solenoid valves	Pmax=25W, Imax=2A (potenza e corrente massima per ogni uscita con due uscite attive) ----- Pmax=50W, Imax=4A (potenza e corrente massima con solo una uscita attiva) ----- Pmax=25W, Imax=2A (power and maximum current for each output with two outputs enabled) ----- Pmax=50W, Imax=4A (power and maximum current with just one output enabled)

**Dove fissare la Centralina / Where to install the control unit:**



- LONTANO da possibili **INFILTRAZIONI D'ACQUA**.
- FAR from any **WATER LEAKAGE**



- LONTANO da **ECESSIVE FONTI DI CALORE** (esempio collettori di scarico).
- FAR from **EXCESSIVE HEAT SOURCES** (such as exhaust manifolds).



- LONTANO dai **CAVI DELL'ALTA TENSIONE**.
- FAR from **HIGH-VOLTAGE CABLES**.



Fare delle buone connessioni elettriche evitando l'uso dei "RUBACORRENTE".  
**Si tenga presente che la migliore connessione elettrica è la saldatura debitamente isolata.**

Create efficient electrical connections without using any "POWER TAPS".  
**Properly insulated soldering is the most effective type of electrical connection.**



**Avvisare il cliente che in caso di rottura del fusibile dell'impianto a GAS, il Sistema ripristina i collegamenti dei dispositivi a cui è collegato. Si sconsiglia vivamente di sostituire il fusibile con un'altro di amperaggio maggiore, cio' puo' provocare danni irreparabili.**

**Advise the customer that if the GAS system fuse burns, the connections of the devices to which it is connected will be restored. It is strongly recommended not to replace the fuse with another one with a higher amperage rating since it may cause irreparable damage.**



Non aprire per nessun motivo la scatola della Centralina soprattutto con il motore in moto o il quadro inserito, onde evitare danni irreparabili.

**GASPART declina ogni responsabilità per danni a cose e persone derivati dalla manomissione del proprio dispositivo da parte di personale non autorizzato con la conseguente perdita di GARANZIA.**

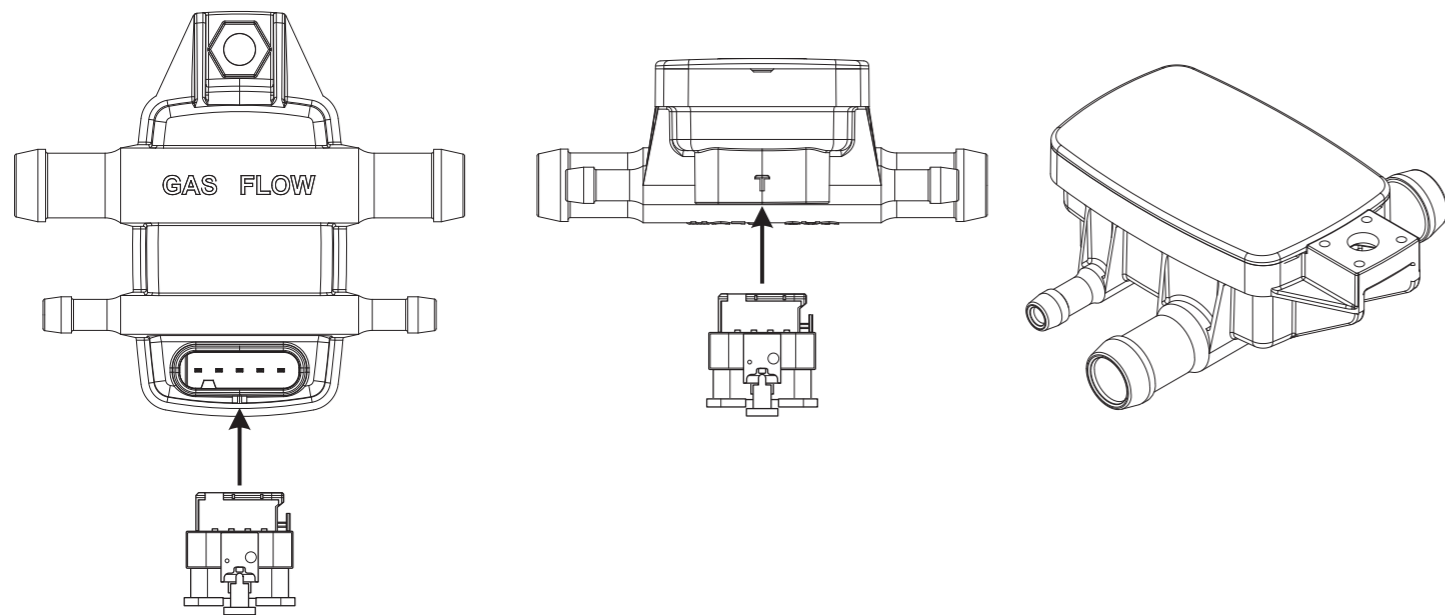
Do not open the Control Unit box for any reason, especially when the engine is running or the key is in the ignition, to avoid irreparable damage.

**GASPART will not be held responsible for damage to property or injuries to persons if unauthorised personnel tamper with its devices; such tampering will also invalidate the WARRANTY.**

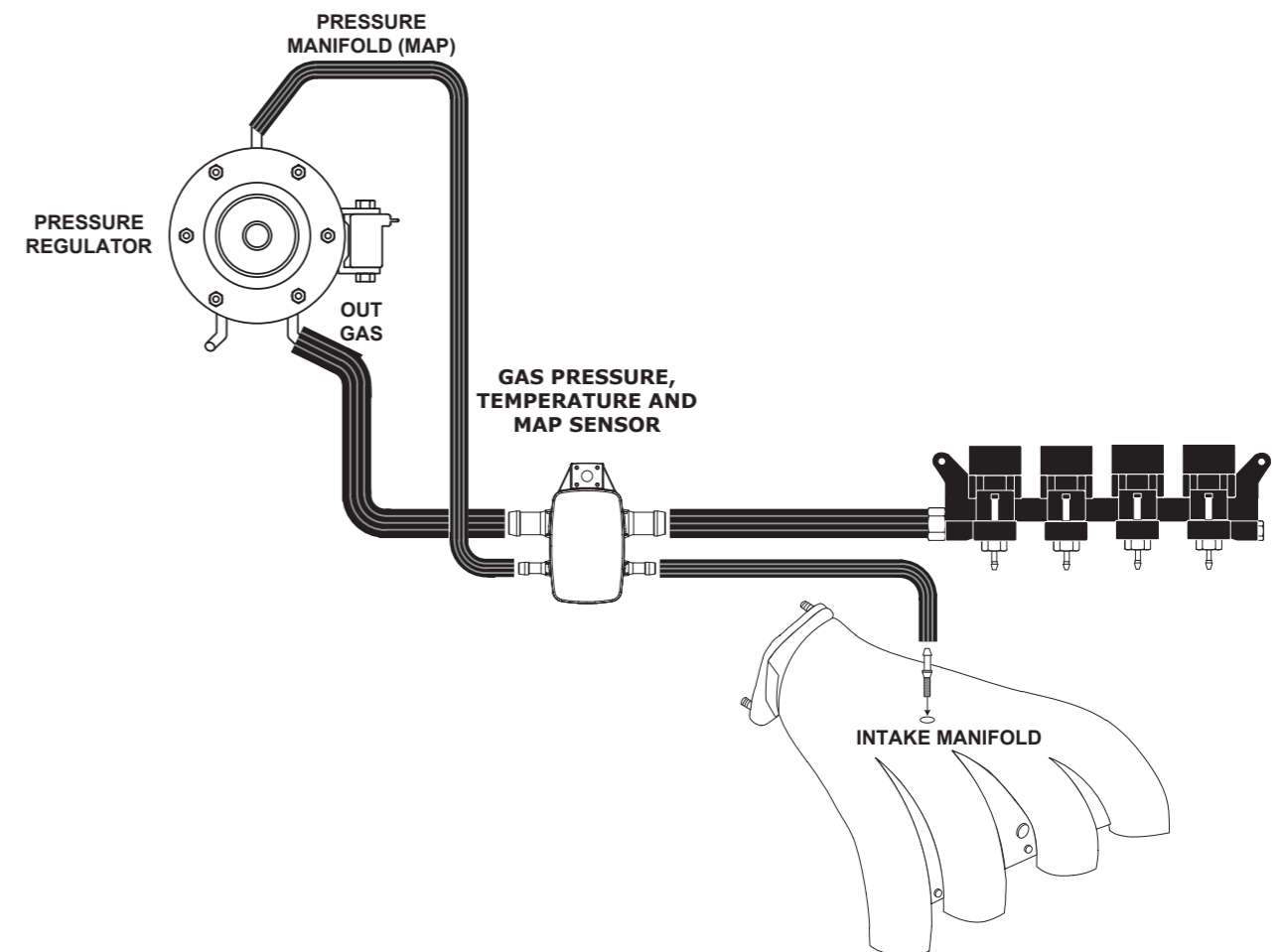
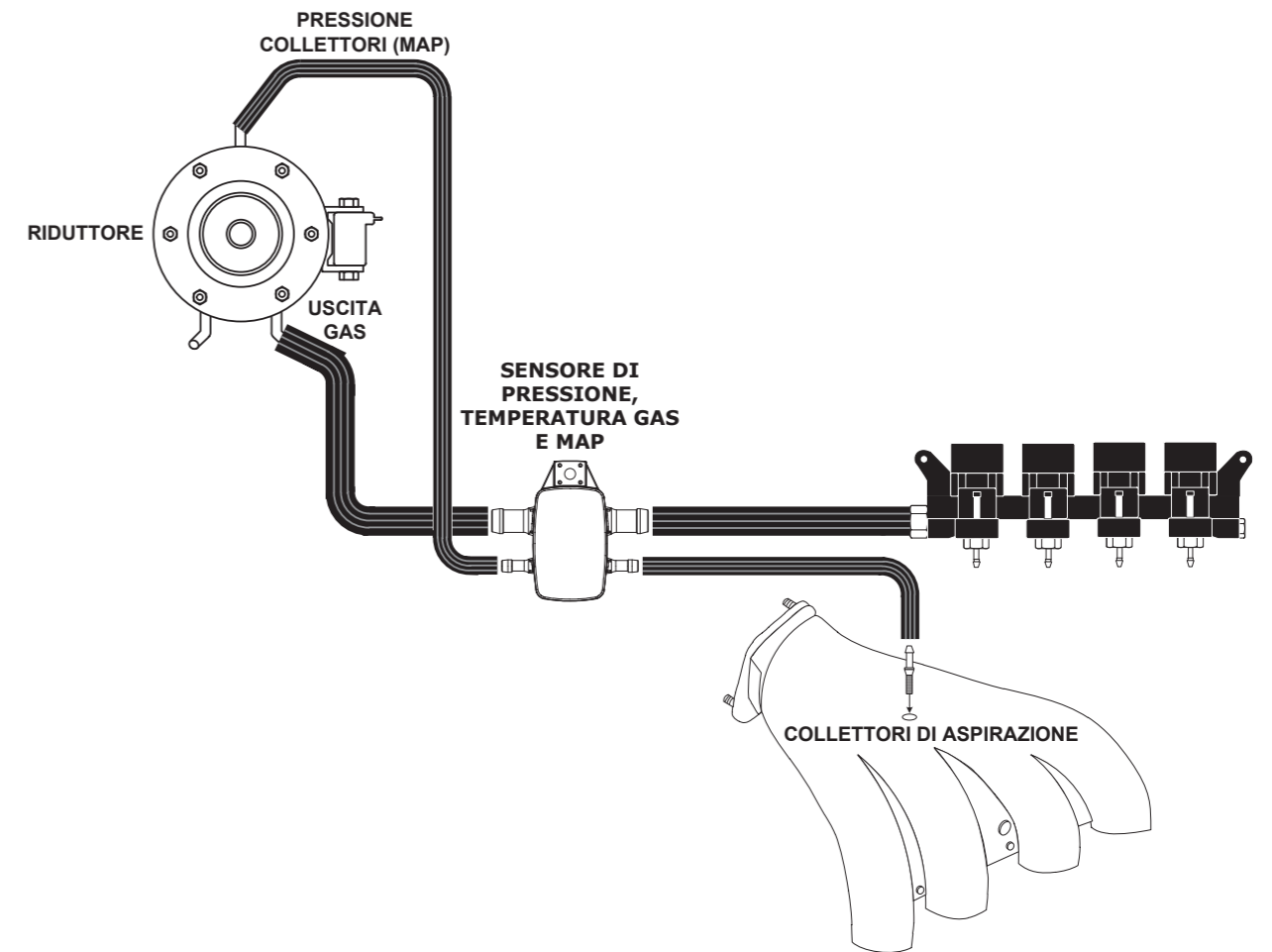
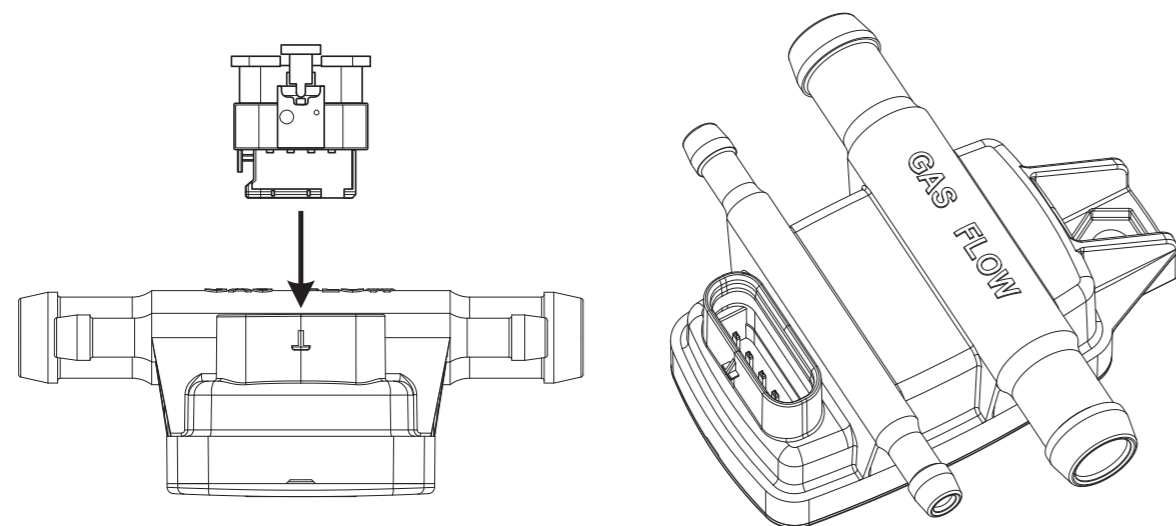
**Come fissare la Centralina/ How to install the Control Unit**

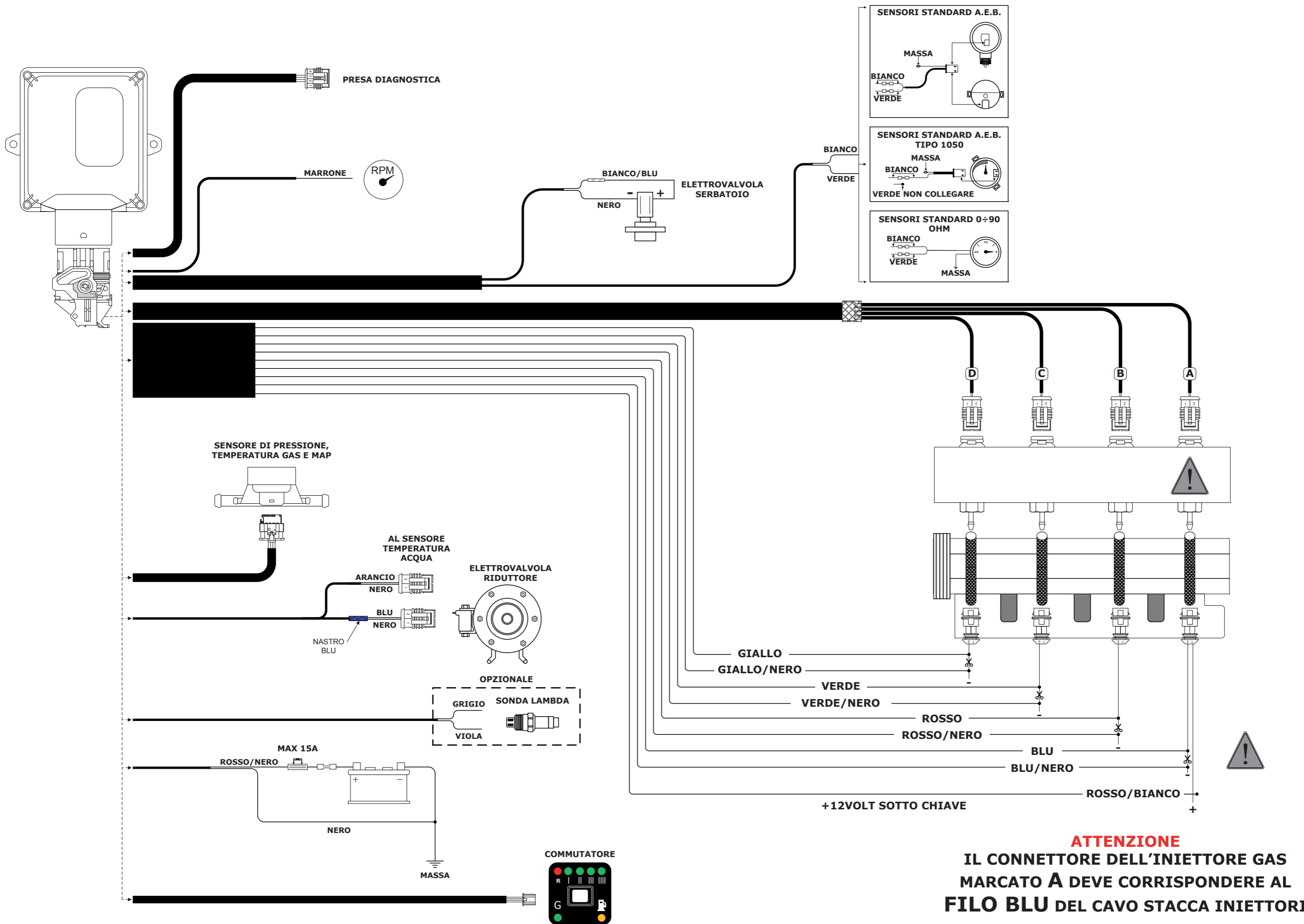
INSTALLAZIONE ERRATA INCORRECT INSTALLATION	INSTALLAZIONE ERRATA INCORRECT INSTALLATION	INSTALLAZIONE CORRETTA CORRECT INSTALLATION

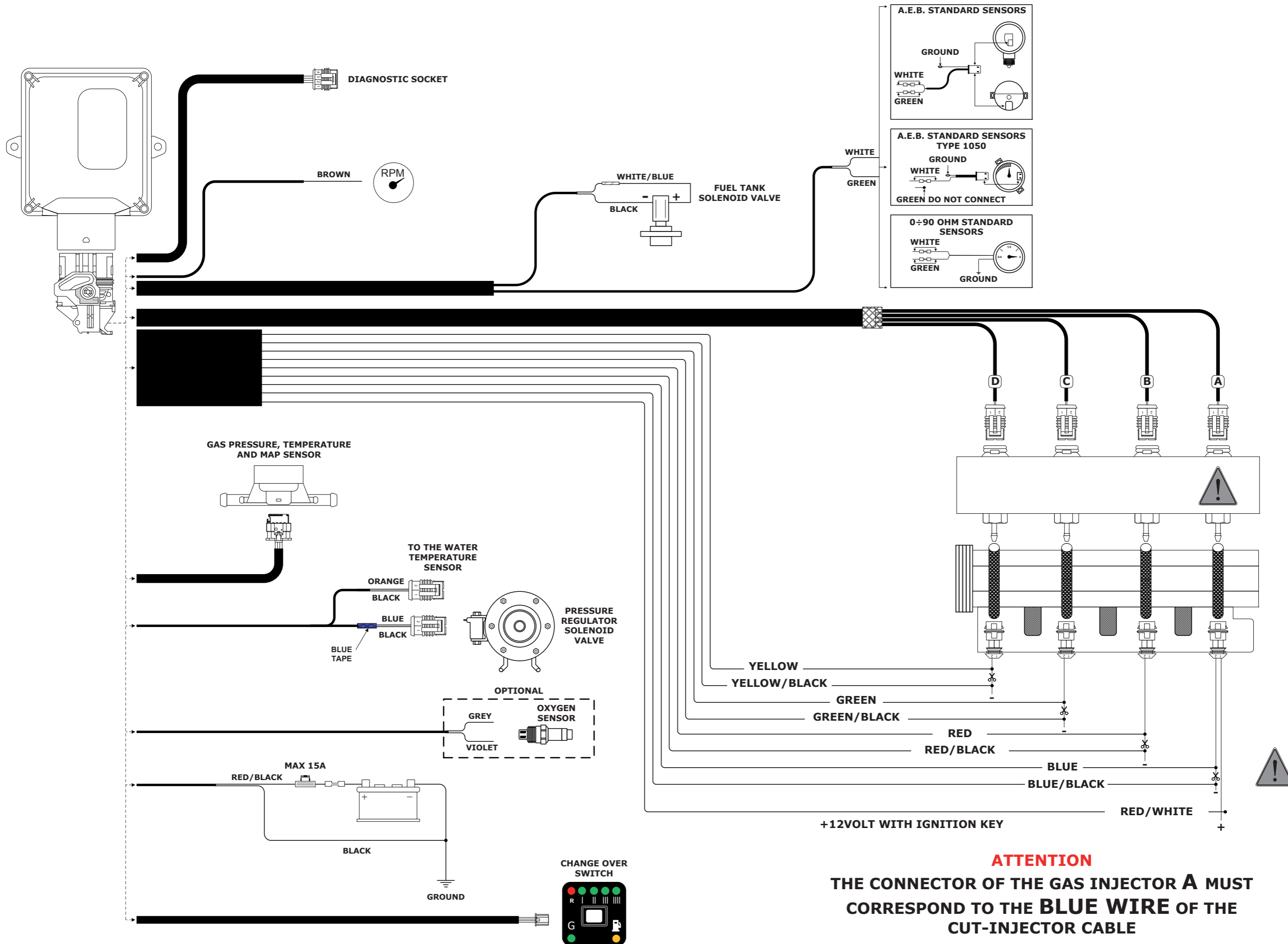
**OK**



**NO**

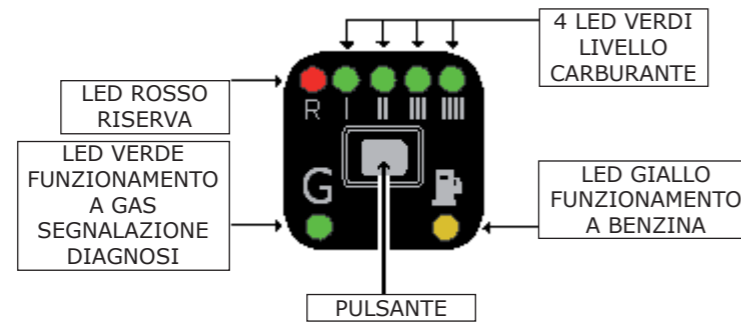






## Descrizione del funzionamento

Il commutatore che viene fornito nel kit dispone di un pulsante, 7 led luminosi e un cicalino interno.



### PULSANTE

Serve per selezionare il tipo di alimentazione, Benzina o Gas; premendolo si passerà da un tipo di carburante all'altro.

### FUNZIONI LED VERDE

**Lampeggio veloce con led giallo fisso** - la centralina è predisposta per l'avviamento a Benzina ed il passaggio automatico a GAS.

**Acceso fisso con led giallo spento** - funzionamento a GAS.

### FUNZIONI LED ROSSO + 4 LED VERDI

**Indicatore di livello carburante;** led ROSSO riserva, mentre i 4 led VERDI forniscono l'indicazione del livello carburante (1/4, 2/4, 3/4, 4/4). L'indicatore è acceso solo quando è selezionata la modalità gas.

### FUNZIONI LED GIALLO

**Acceso fisso con led Verde spento** - funzionamento a BENZINA.

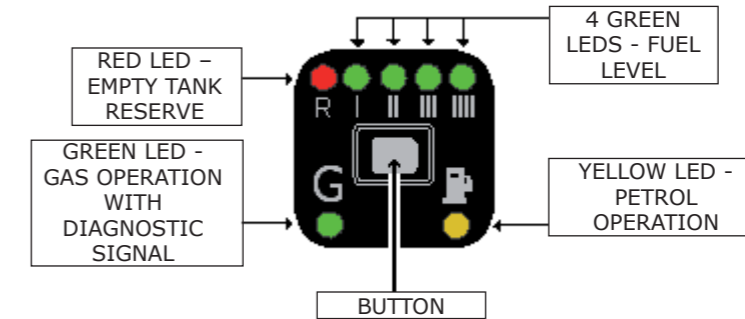
**Acceso fisso con led Verde lampeggiante** - la centralina è predisposta per l'avviamento a Benzina ed il passaggio automatico a GAS.

### PASSAGGIO A BENZINA PER BASSA PRESSIONE GAS

Quando il commutatore è in **riserva** e la pressione del gas scende al di sotto di un valore prestabilito, la centralina commuta automaticamente a benzina. Questo viene fatto per evitare che il motore possa girare con una carburazione troppo magra danneggiando così il catalizzatore. Prima di ripassare la vettura a Gas effettuare il rifornimento. **Il passaggio a Benzina per bassa pressione Gas** viene segnalato dal commutatore con l'accensione del led GIALLO funzionamento a Benzina, l'accensione alternata del LED ROSSO indicatore e dei 4 LED VERDI e con l'avviso acustico del cicalino interno. Per riportare il commutatore al funzionamento normale è necessario premere una volta il PULSANTE, rimarrà acceso il LED GIALLO per indicare che la vettura sta funzionando a Benzina ed il cicalino smette di suonare.

## Operating description

The changeover switch supplied with the kit has one button, 7 LEDs and an internal buzzer.



### BUTTON

This is used to select either the petrol or the gas fuel supply. Press the button one time to switch to gas and press it again to return to petrol.

### GREEN LED FUNCTIONS

**Rapid flashing** - the control unit is prepared to start with petrol and switch automatically to GAS.

**Steady on with yellow LED off** - Gas operation.

### RED LED + 4 GREEN LED FUNCTIONS

**Fuel level indicator;** reserve RED LED, while the 4 GREEN LEDS indicate the fuel level (1/4, 2/4, 3/4, 4/4). The indicator is illuminated only when the gas mode is selected.

### YELLOW LED FUNCTIONS

**Steady on with Green LED off** - PETROL operation.

**Steady on with flashing Green LED** - the control unit is prepared to start with petrol and switch automatically to Gas.

### LOW GAS PRESSURE PETROL CHANGEOVER

When the changeover switch indicates the fuel tank is in **reserve** and the gas pressure drops below a set value, the control unit automatically switches over to gas. This prevents the engine from running with an excessively lean carburetion, thus damaging the catalyser. Before returning to gas operation, fill up. The changeover switch signals the **changeover to petrol due to low gas pressure** by activating the internal buzzer, illuminating the YELLOW petrol operation LED and by illuminating the RED LED in an alternating pattern with the 4 GREEN LEDS. To make the changeover switch return to normal operation press the BUTTON one time; the YELLOW LED will remain on to indicate that the car is operating with petrol and the buzzer turns off.

# CUT INJECTOR WIRING DESCRIPTION

## How to check what cut injector wiring to use

There are different types of cut injector wiring to match with the injection control unit.

**NOTE: the cut injector wiring must be ordered separately since it is not included in the kit.**

To know what type of cut injector wiring to use, you must first check, on the petrol injector connector, on what PIN the injector positive is connected.

**To identify which of the two wires is positive, do the following:**

- detach all the connectors from the injectors;
- set a multimeter to measure DC voltage;
- put the negative probe to ground;
- put the positive probe into one of the two pins of the injector wiring;
- insert the key into the ignition and immediately check the multimeter reading.

If the multimeter reads +12 volts, that pin is the positive.

**WARNING: the injector +12 volt on some cars might be timed; therefore the reading might disappear a few seconds after the ignition is turned on. Check the polarity of all injector wiring connectors to make sure that they are all polarised in the same way.**

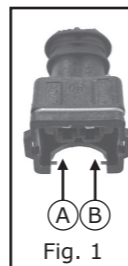
## EXAMPLES OF CONNECTORS MOST COMMONLY USED

### SA144 - SA144INV for 4-8 cylinder cars (For 8 cyl. use 2 types of wiring).

Wiring types **SA144** and **SA144INV** are equipped with "BOSCH" type connectors to connect directly to the petrol injectors. To know whether to use model **SA144** or **SA144INV**, check the polarisation on the petrol injector wiring.

**SA144:** use this if the positive of the petrol injectors is on PIN A and the negative is on PIN B. Refer to figure 1.

**SA144INV:** use this if the positive of the petrol injectors is on PIN B and the negative is on PIN A. Refer to figure 1.



### SA144J - SA144JINV- SA144SJ for 4-8 cylinder cars (For 8 cyl. use 2 types of wiring).

Wiring types **SA144J** and **SA144JINV** are equipped with "JAPAN" type connectors to connect directly to the petrol injectors. To know whether to use model **SA144J** or **SA144JINV**, check the polarisation on the petrol injector wiring.

**SA144J:** use this if the positive of the petrol injectors is on PIN A and the negative is on PIN B. Refer to figure 2.

**SA144JINV:** use this if the positive of the petrol injectors is on PIN B and the negative is on PIN A. Refer to figure 2.



### SA144E

Wiring type **SA144E** is equipped with a single 6-pin connector. It can be used on some types of Fiat, Citroen or Peugeot cars that use the same connector on the injector wiring.

**To install and to know on what cars it can be used, follow the instructions included with the wiring.**

### SA143 - SA143INV for 3 cylinder cars

Wiring types **SA143** and **SA143INV** are equipped with "BOSCH" type connectors to connect directly on the petrol injectors. To know whether to use model **SA143** or **SA143INV**, check the polarisation on the petrol injector wiring.

**SA143:** use this if the positive of the petrol injectors is on PIN A and the negative is on PIN B. Refer to figure 1.

**SA143INV:** use this if the positive of the petrol injectors is on PIN B and the negative is on PIN A. Refer to figure 1.

# UNIVERSAL CUT INJECTOR WIRING DESCRIPTION

## SA144U

All wires of the **SA144U** wiring are free and without connectors. This wiring is used on cars where other types of wiring cannot be installed or where it is impossible to access the injectors' original connectors.

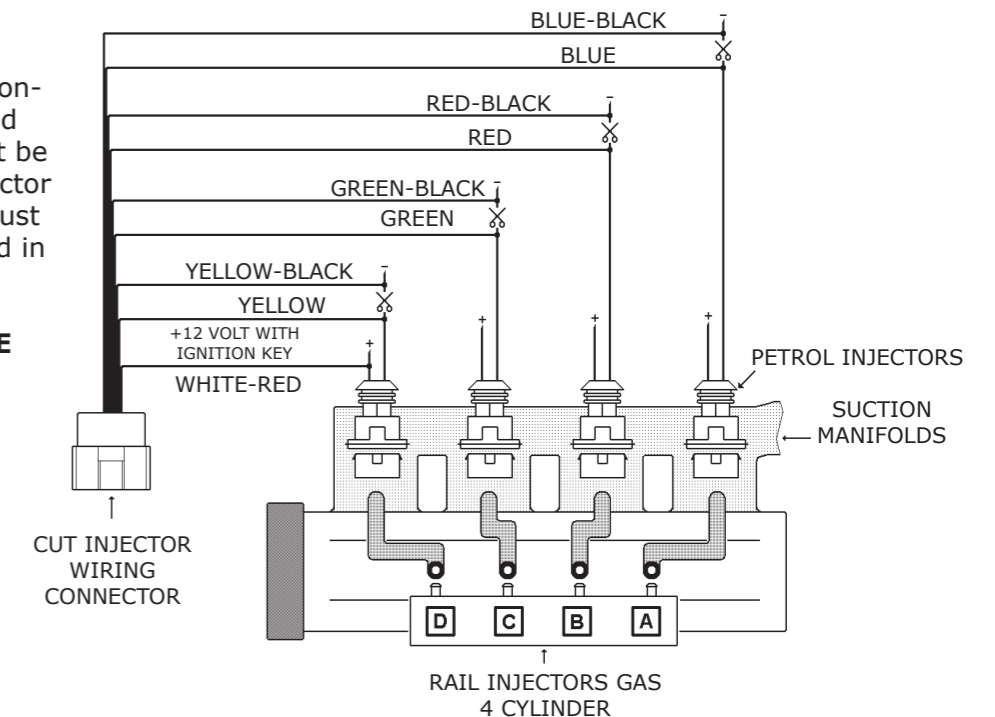
To install this type of wiring, cut the negative wires of the petrol injectors in the order indicated in the figure. The connection direction is very important. The **BLACK striped** wires should be installed toward the petrol injection control unit and the others toward the injectors.

The **WHITE-RED** wire should be connected to any of the injector positives.

## Connection diagram for 4-cylinder cars

**WARNING!**  
Follow the sequence of connections. The **BLUE** and **BLUE-BLACK** wires must be positioned at the gas injector marked **A**. The others must be connected as indicated in the figure.

**INTERRUPT THE INJECTOR NEGATIVE WIRES.**



## Connection diagram for 3-cylinder cars

**WARNING!**  
For a connection on a 3-cylinder car the **YELLOW** and **YELLOW-BLACK** wires should remain disconnected. See the diagram.

